



# SW SERIES

## Portion Control Scale

The SW Series Bench Scale is a well built, compact scale that will stand up to years of use. Available in two styles, the legal for trade SW and the SW-Z. The SW-Z adds the lb:oz fraction and lb:oz decimal modes.

- Portable - Battery or AC Power
- Easy to Clean
- Use in restaurants, specialty stores, farmers markets, and more
- Legal for Trade (SW Series Only)

SW ▶



◀ SW-Z



# CAS

# SW SERIES | Portion Control Scale

TOTAL WEIGHING SOLUTION™

## FEATURES

- AC or Battery Operated with Auto Power Off
- Large Easy to Read 1 Inch LCD Display
- Lb/g/kg/oz Switchable
- Lb:oz decimal & Lb:oz fraction (SW-Z)
- Easy to Clean Stainless Steel Platter
- Soft Touch Tactile Switch
- Warranty - 1 Year

## OPTIONS

- Rear Display
- Full Body Protective Cover
- Large Platter



Large Platter



Rear Display



## SPECIFICATIONS

| Model                | SW-5  | SW-10         | SW-20         | SW-50         |               |
|----------------------|---|---------------|---------------|---------------|---------------|
| Weighing Capacity    | lb  | 5 x 0.002 lb  | 10 x 0.005 lb | 20 x 0.01 lb  | 50 x 0.02 lb  |
|                      | oz  | 80 x 0.05 oz  | 160 x 0.1 oz  | 400 x 0.2 oz  | 800 x 0.5 oz  |
|                      | kg  | 2 x 0.001 kg  | 5 x 0.002 kg  | 10 x 0.005 kg | 20 x 0.01 kg  |
|                      | g   | 2000 x 1 g    | 5000 x 2 g    | 10000 x 5 g   | 20000 x 10 g  |
|                      |   | <b>SW-5Z</b>  | <b>SW-10Z</b> | <b>SW-20Z</b> | <b>SW-50Z</b> |
|                      | lb  | 5 x 0.002 lb  | 10 x 0.005 lb | 20 x 0.01 lb  | 50 x 0.02 lb  |
|                      | lb:oz dec   | 5lb x 0.05 oz | 10lb x 0.1 oz | 20lb x 0.2 oz | 50lb x 0.5 oz |
|                      | lb:oz frac  | 5lb x 1/16 oz | 10lb x 1/8 oz | 20lb x 1/4 oz | 50lb x 1/2 oz |
|                      | kg  | 2 x 0.001 kg  | 5 x 0.002 kg  | 10 x 0.005 kg | 20 x 0.01 kg  |
|                      | g   | 2000 x 1 g    | 5000 x 2 g    | 10000 x 5 g   | 20000 x 10 g  |
| Display Digit        | 5 Digit LCD (1 Inch)                                      |               |               |               |               |
| Display Designators  | Stable, Zero, Net, Batt                                   |               |               |               |               |
| Keys                 | Zero, Tare, Unit, Power                                   |               |               |               |               |
| Measurement Type     | Load Cell   |               |               |               |               |
| Power Source         | DC 9V (1.5V x 6ea - "D" Size) / AC Adapter Included       |               |               |               |               |
| Power Consumption    | 0.25W   |               |               |               |               |
| Operating Time       | Alkaline Dry Battery: 1000 hr                             |               |               |               |               |
| Operating Temp       | -10°C ~ 40°C / 14°F ~ 104°C                               |               |               |               |               |
| Platter Size (in/mm) | 9.05(W) x 7.48(D) / 230(W) x 190(D)                       |               |               |               |               |
| Dimensions (in/mm)   | 10.23 (W) x 11.29(D) x 5.39(H) / 260(W) x 287(D) x 137(H) |               |               |               |               |
| Product Weight       | 6.92 lbs / 3.14 kg  |               |               |               |               |
| Approvals            | NTEP COC# 99-002 (SW Series Only)                         |               |               |               |               |

## DISPLAY MODES



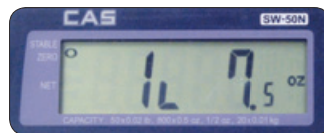
▲ Lb: SW & SW-Z



▲ Kg: SW & SW-Z



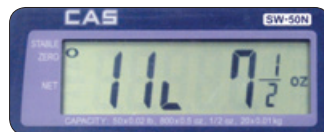
▲ Oz: SW only



▲ Lb:oz decimal: SW-Z only



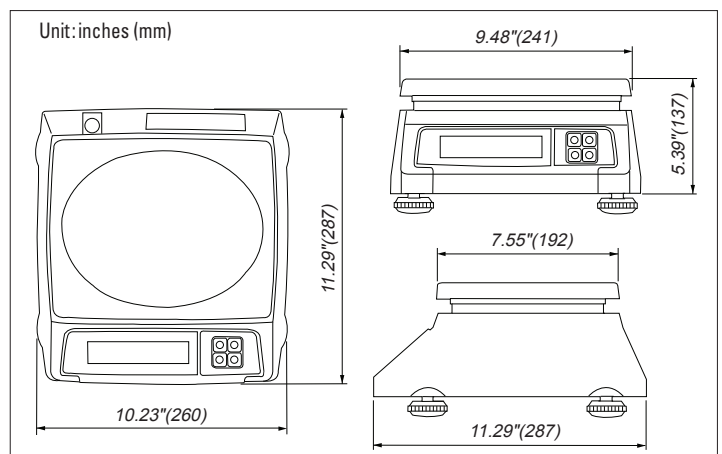
▲ Grams: SW & SW-Z



▲ Lb:oz fraction: SW-Z only



## DIMENSIONS



99 Murray Hill Parkway  
East Rutherford, NJ 07073

TEL: (201) 933-9002

FAX: (201) 933-9025

<http://www.cas-usa.com>

Specifications are subject to change for improvement without prior notice.