

# IX100/202

## Retail Printing Scales

The stylish IX series printing scales offer an outstanding range of features at the lowest price available.

- **Most economical scale in its class**
- **Network up to 9 scales**
- **Fast loading printer with take up spool**
- **Customer Ready (CR) Software** allows for easy setup and programming
- **Legal for Trade**



## IX100/202 Retail Printing Scales

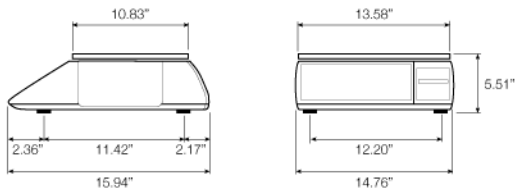
Designed to suit small independents and convenience stores, the IX series meets the essential needs of the local retailer at a very economical price. The IX features a compact footprint, simple set-up and configuration and new Customer Ready (CR) scale software — it's never been easier to maintain prices, labels and COOL standards.

### FEATURES

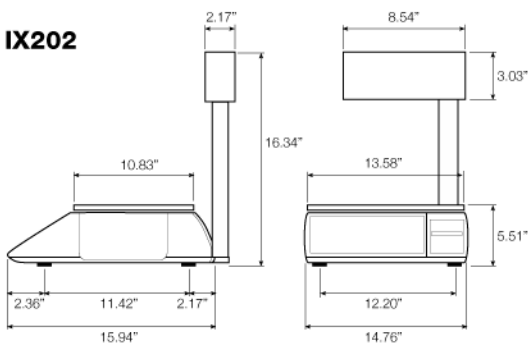
- **Customer Ready (CR) Software** – Featuring 6 pre-programmed label formats for easy programming and set up.
- **Create Professional Labels** – Avoid purchasing costly preprinted labels with the memory-stored safe handling logo and the ability to add your own custom logo.
- **MX020 PC-to-scale Software** – Free, easy-to-use. Design your own labels and manage your PLU's all from the convenience of your PC.

### DIMENSIONS

#### IX100



#### IX202



### SPECIFICATIONS

- **Design**  
IX100 – One-piece modular design.  
IX202 – Customer tower display with extended keyboard.
- **Weighing Capacities Available**  
30 lb x 0.01 lb (unit default)  
15 kg x 5 g\*, 12 lb x .002 lb\*, 6kg x 2 g\*  
(\*Requires configuration change and recalibration)
- **Display**  
Easy to read, backlit LCD displays
- **Printer**  
Easy-access, thermal label and receipt printer with take-up spool for backing paper:  
2.2 in/second print speed.  
3.94 in/100 mm diameter roll.  
2.2 in/56 mm print width.
- **Keyboard**  
Wipe clean keyboard with audible beep.  
Fast number entry via cluster key arrangement.  
Envelope pocket for keyboard overlay.  
IX100 – 57 key keyboard. 34 direct PLUs.  
IX202 – 79 key keyboard. 56 direct PLUs.
- **Data Memory**  
Details of up to 1000 products/prices can be stored and recalled. Ability to add one custom logo.
- **Operators**  
Up to eight operators can serve customers from any of the scales on the network.
- **Barcodes**  
EAN 8/EAN 13/UPC 12/UPC 13
- **Interfaces**  
RS485 scale interface as standard. Nine scales may be linked in a network. RS232 link to PC or barcode scanner. Cash drawer interface.
- **Management Reports**  
PLU, group and operator totals.
- **Agency Approvals**  
Legal for Trade, NTEP Class III  
USA COC# 05-003  
Canadian COC# AM-5639



Avery Berkel is a division of ITW Limited

#### AVERY BERKEL

1000 Armstrong Drive  
Fairmont, MN, USA 56031

E-mail: [sales@averyberkelusa.com](mailto:sales@averyberkelusa.com)  
Web: [www.averyberkelusa.com](http://www.averyberkelusa.com)

Toll-Free: 800 237-1886  
Fax: 800 237-2063